

# Take Control. **ion** Packages

Now available  
with optional  
factory installed  
Ethernet Module.



## Ion® Endeavor BA50

All parts included to install a smart controller with sensors & pump



- First of a kind 115 volt standard plug in receptacle, dual pump run and alternating controller for residential and commercial applications
- Ion® sensors communicate with controller to provide controller based turn on level adjustment from 2.5" to 72" for optimal pump operation
- Track critical information through the panel based display, including switch failure, pump amp draw, water level and more
- Wide range of communication options available



37 Forestwood Dr., Romeoville, IL 60446 [www.ionproducts.net](http://www.ionproducts.net) [815] 886-9200

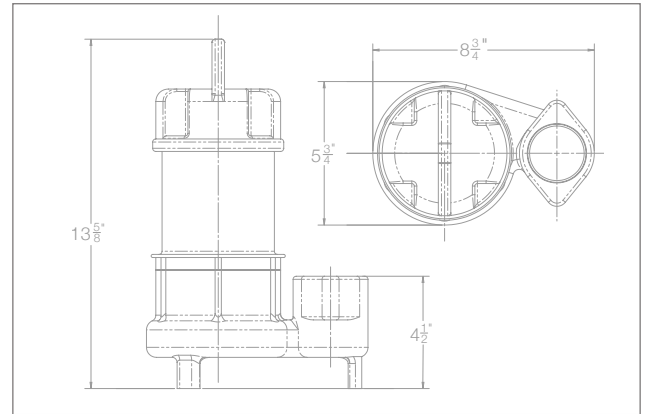
Patents Pending, Patent No. 8,591,198

# Ion® Endeavor BA50

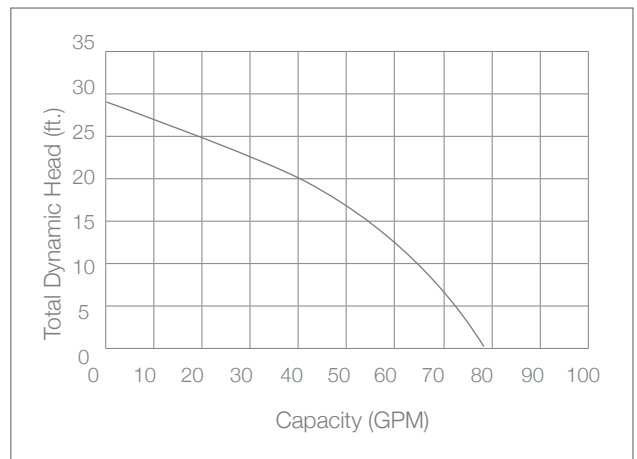
## System Specifications

|                                |  |
|--------------------------------|--|
| Typical Applications           | <ul style="list-style-type: none"><li>• Basement sump</li><li>• Dewatering</li></ul> |
| Maximum Capacity               | Up to 78 GPM   |
| Maximum Head                   | Up to 29'  |
| Electrical Data                | 115 V, 1 Ø, 5.8 FLA, 60 Hz   |
| Motor Data                     | ½ HP, 3450 RPM   |
| Recommended Minimum Basin Size | 18" x 24"  |
| Manual Operation               | M: Manual  |
| Materials of Construction      | Cast iron & stainless steel  |
| Impeller                       | Cast iron vortex   |
| Power Cord                     | 10' Standard (20' optional)  |
| Discharge Size                 | 2" NPT   |
| Solids Handling                | ½"   |

## BA50 Sump Pump Dimensions



## BA50 Sump Pump Performance



## Features

- Energy efficient motor
- Carbon ceramic mechanical seal
- Thermal overload protection
- Ion® digital level control sensor has no moving parts (standard)
- Stainless steel screen prevents debris from entering the pump
- 3 year warranty